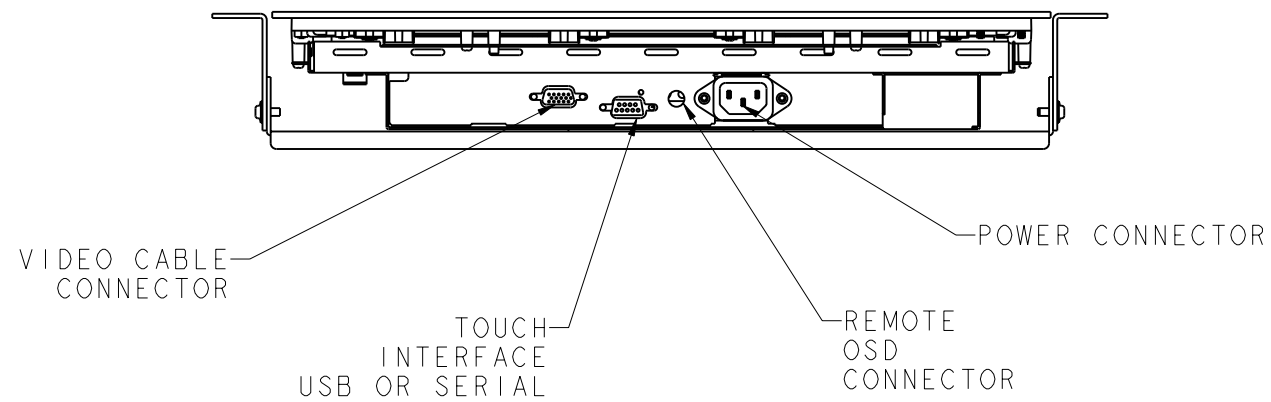
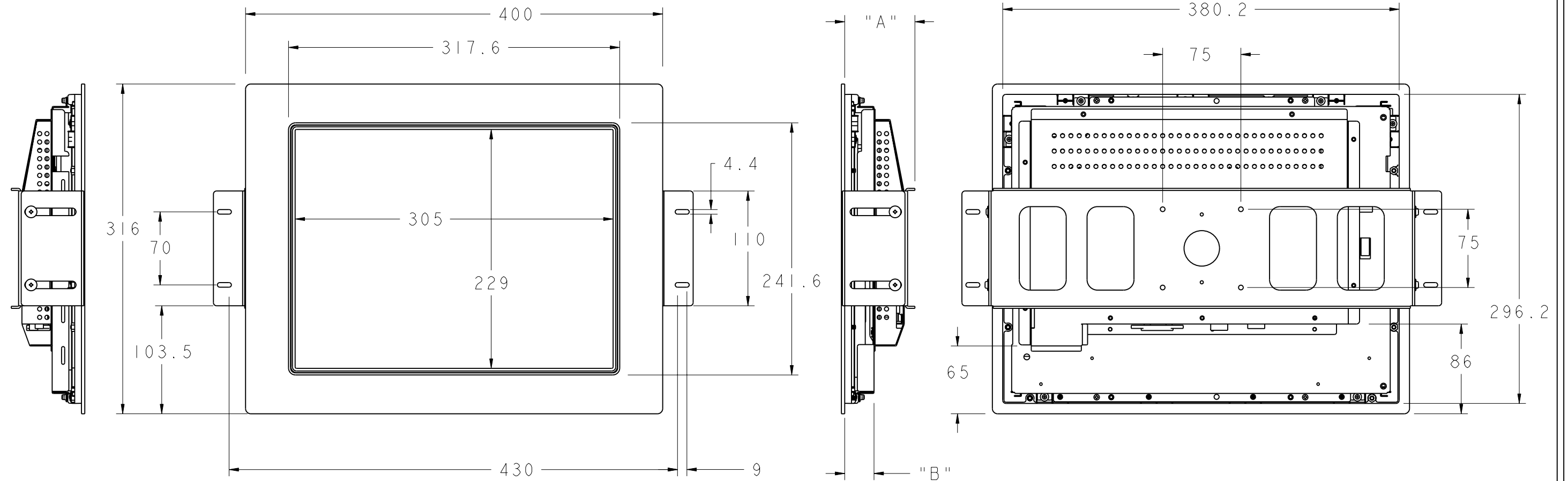


FRONT MOUNT,
MODEL ET1567L SERIES.



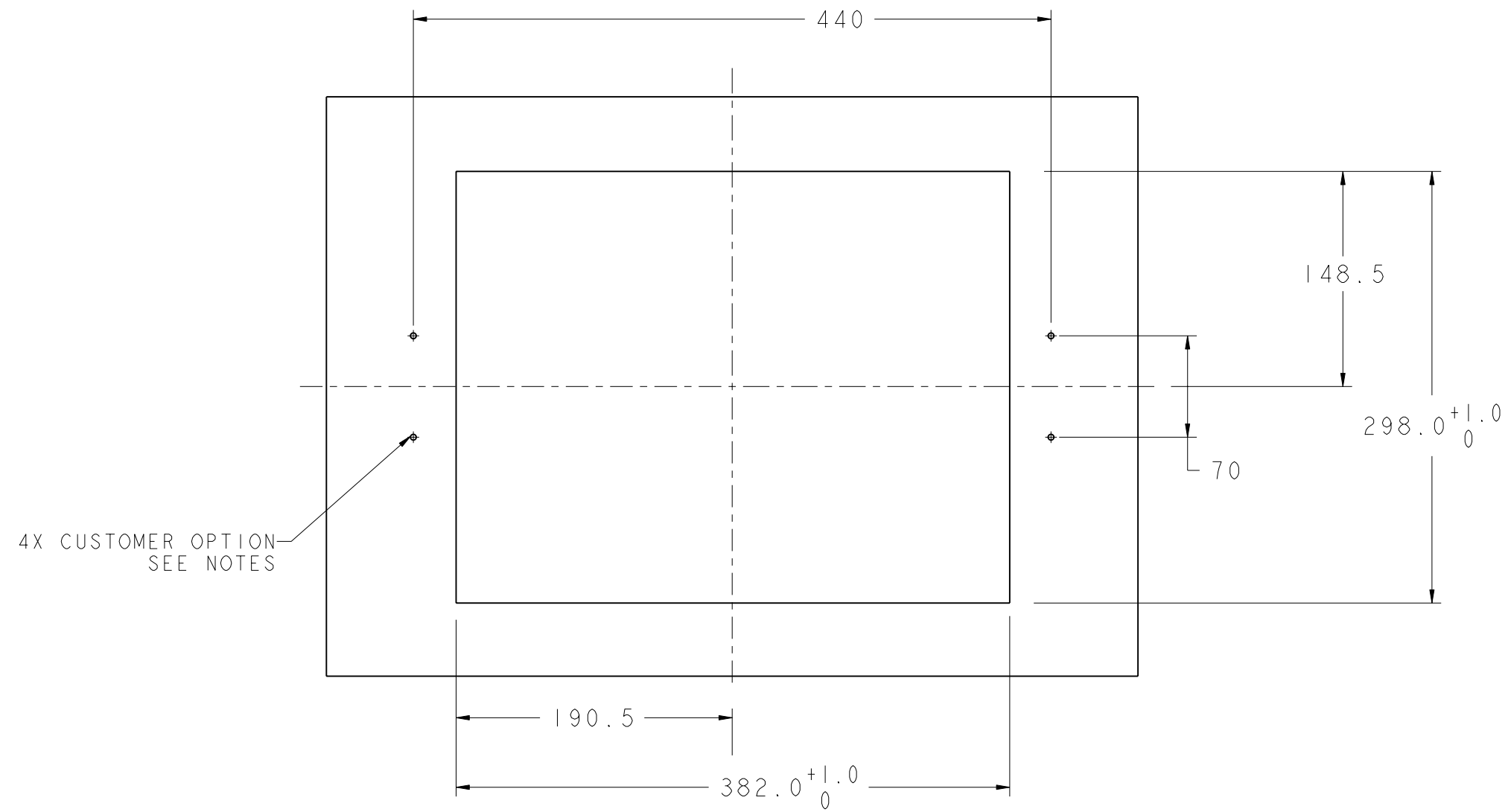
PART NUMBER	PART DESCRIPTION	"A"	"B"
851660-000	ET1567L-0NWC-1	67.3	28
057710-000	ET1567L-7SWC-1	67.3	28
432574-000	ET1567L-7UWC-1	67.3	28
046906-000	ET1567L-8SWC-1	67.3	28
252302-000	ET1567L-8UWC-1	67.3	28
463718-000	ET1567L-6SWC-1	70.3	31
073496-000	ET1567L-6UWC-1	70.3	31

DIMENSIONS ARE IN MILLIMETERS

SHEET 1 OF 2



PLATE CUT OUT, FRONT MOUNT.



NOTES:

- MATERIAL:
1. WOOD: $\varnothing 4.5$ HOLES THRU FOR M4 SCREWS W/NUTS,
OR, NO THRU HOLES, SCREWS FOR WOOD $\varnothing 4$ mm.
 2. SHEET METAL: CONCEALED HEAD THREADED STUDS M4 W/NUTS.

DIMENSIONS ARE IN MILLIMETERS

SHEET 2 OF 2

