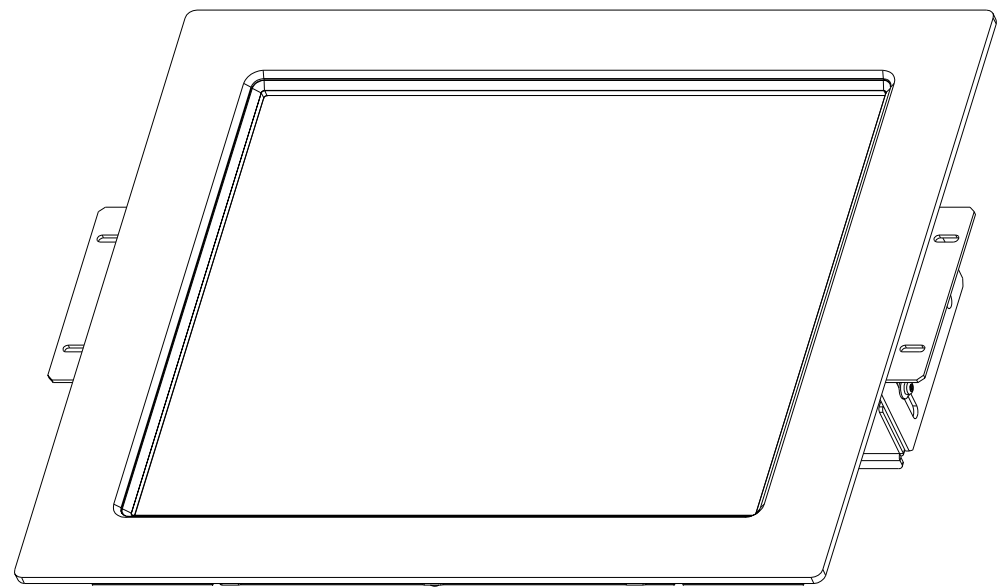
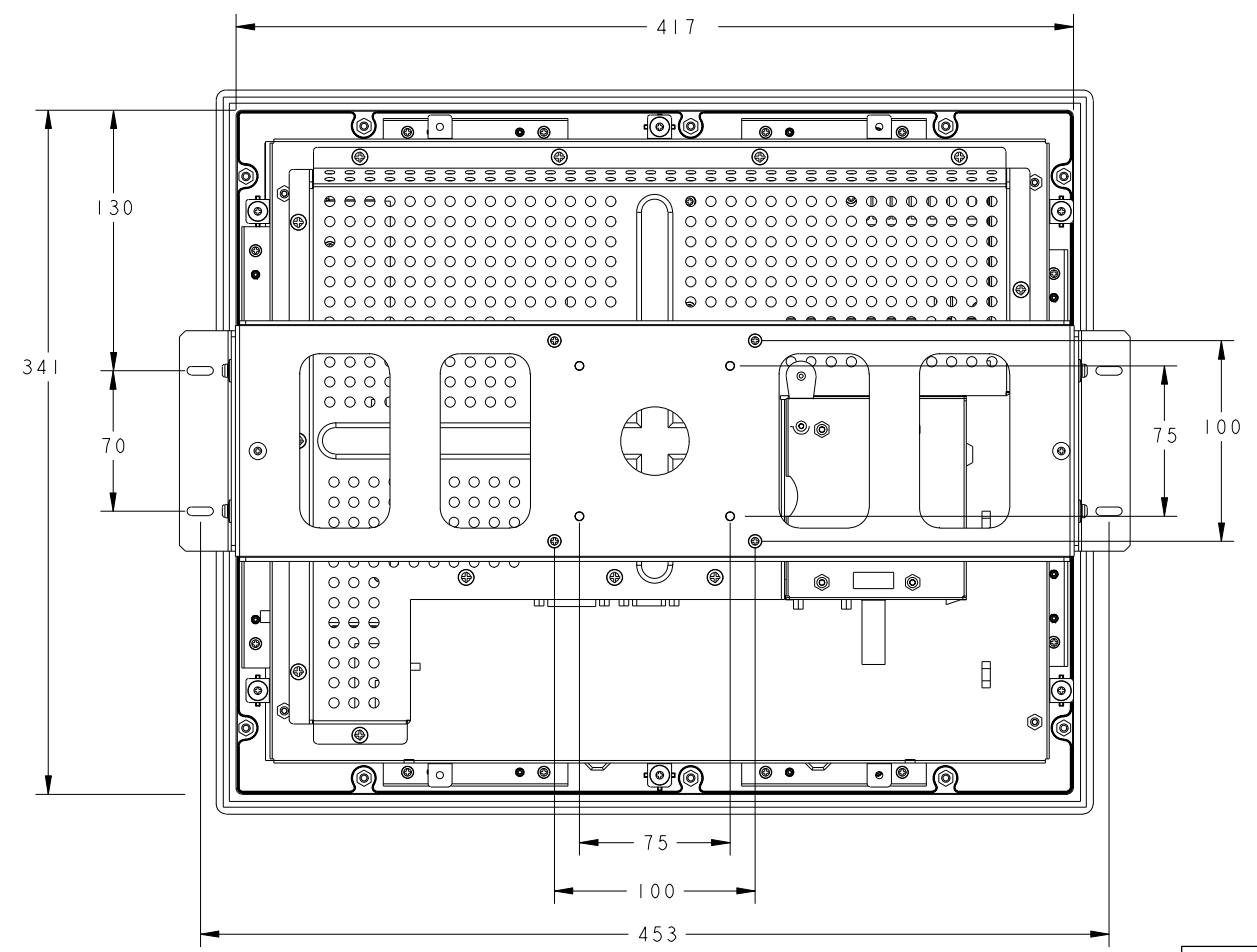
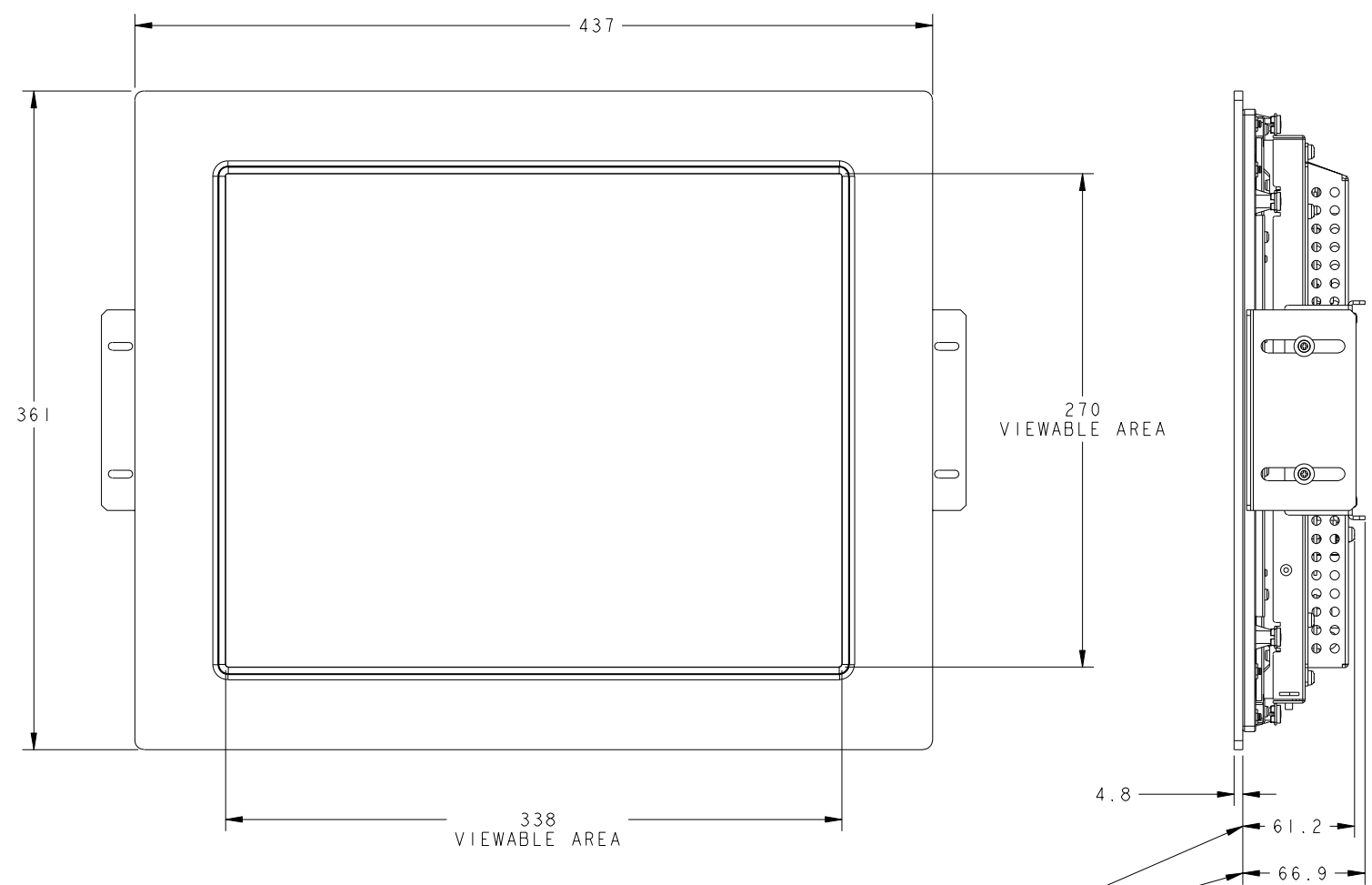


ET1767L SERIES
FRONT/PANEL MOUNT KIOSK



P/N	ITEM
C70331-000	ET1767L-0NWB-1
322600-000	ET1767L-6SWB-1
171864-000	ET1767L-6UWB-1
E43160-000	ET1767L-7SWB-1
A65301-000	ET1767L-7UWB-1
974340-000	ET1767L-8SWB-1
358362-000	ET1767L-8UWB-1
422254-000	ET1767L-9SWB-1



NOTED DIMENSIONS ARE FOR NON-TOUCH, ACCUTOUCH, AND INTELLITOUCH ONLY. FOR SECURETOUCH AND INFRARED ADD 3.5MM TO EACH MEASUREMENT

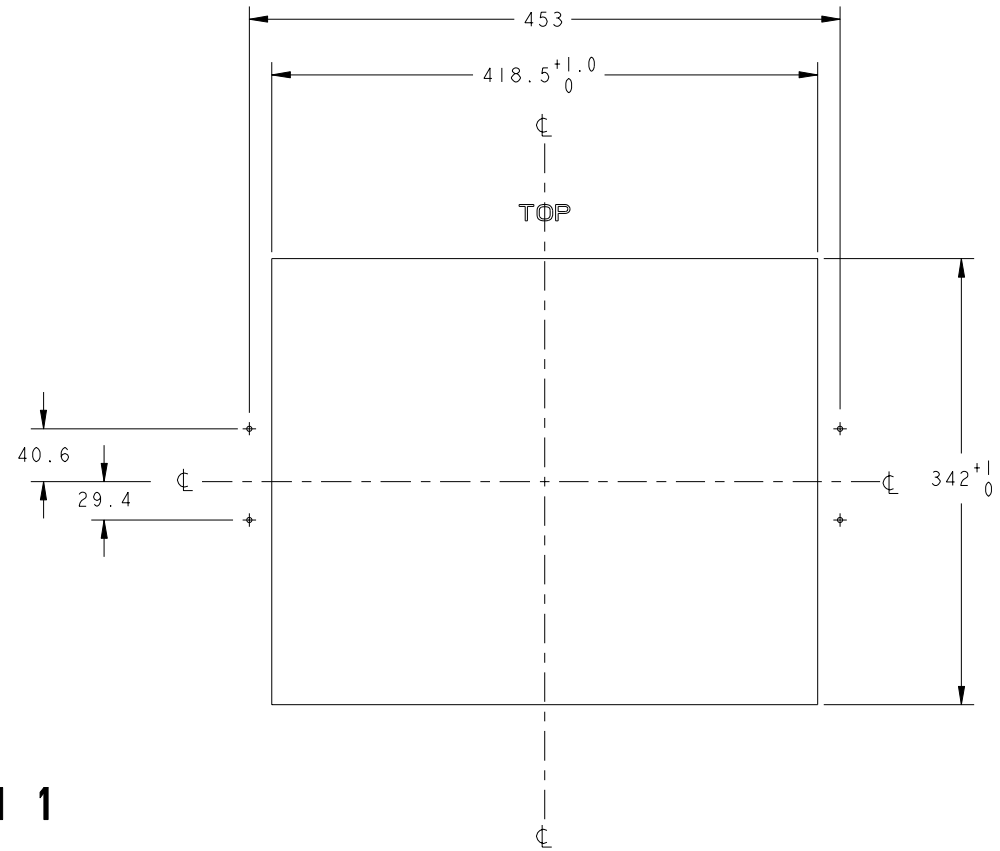
DIMENSIONS ARE IN MILLIMETERS

3D CAD (IGES) AVAILABLE
SHEET 1 OF 2

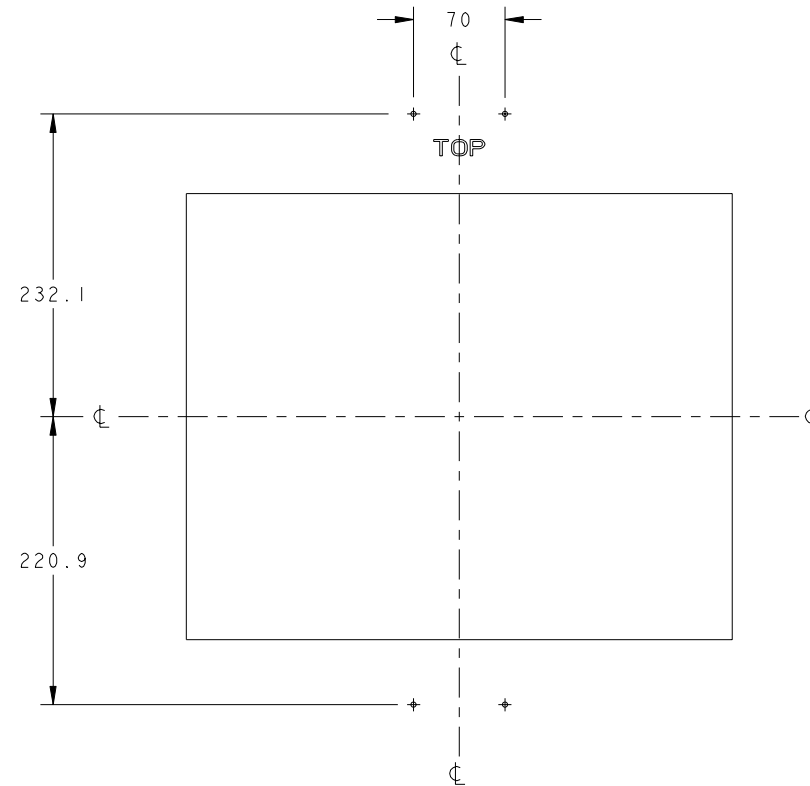
MS500238
DATE: 2/26/02
REV: A

NOTES FOR ALL MOUNTING OPTIONS BELOW:

- 1.) ALL DRAWING CENTERS ARE THE CENTER OF VIEWABLE AREA OF THE LCD PANEL.
- 2.) LCD PANEL CUTOUT DIMENSIONS IN OPTION 1 APPLIES TO ALL MOUNTING OPTIONS
- 3.) IF CUSTOMER KIOSK MATERIAL IS WOOD:
 $\varnothing 4.5$ HOLES THRU FOR M4 SCREWS,
 OR NO THRU HOLES, SCREWS FOR WOOD $\varnothing 4$
- 4.) IF CUSTOMER KIOSK MATERIAL IS SHEETMETAL:
 CONCEALED HEAD THREADED STUDS M4 W/ NUTS



OPTION 1



OPTION 2

