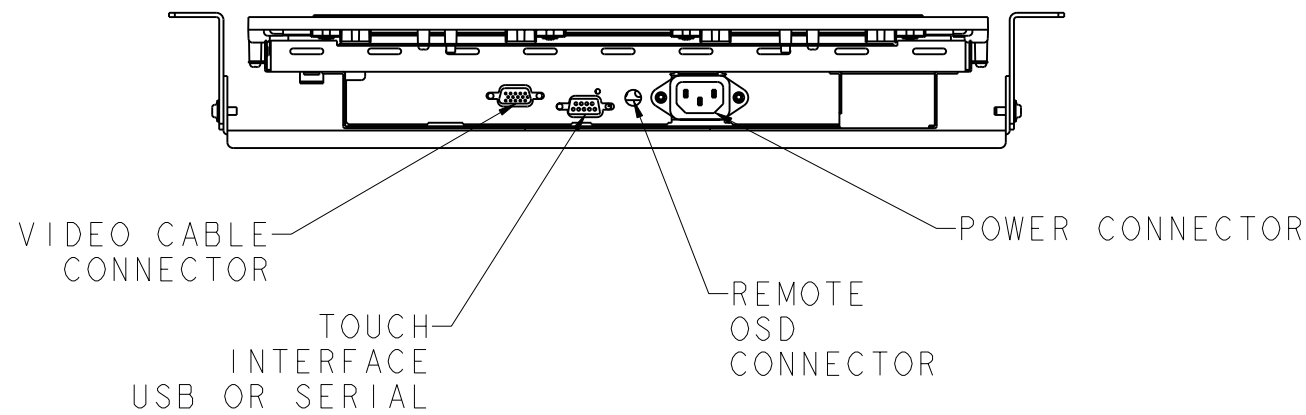
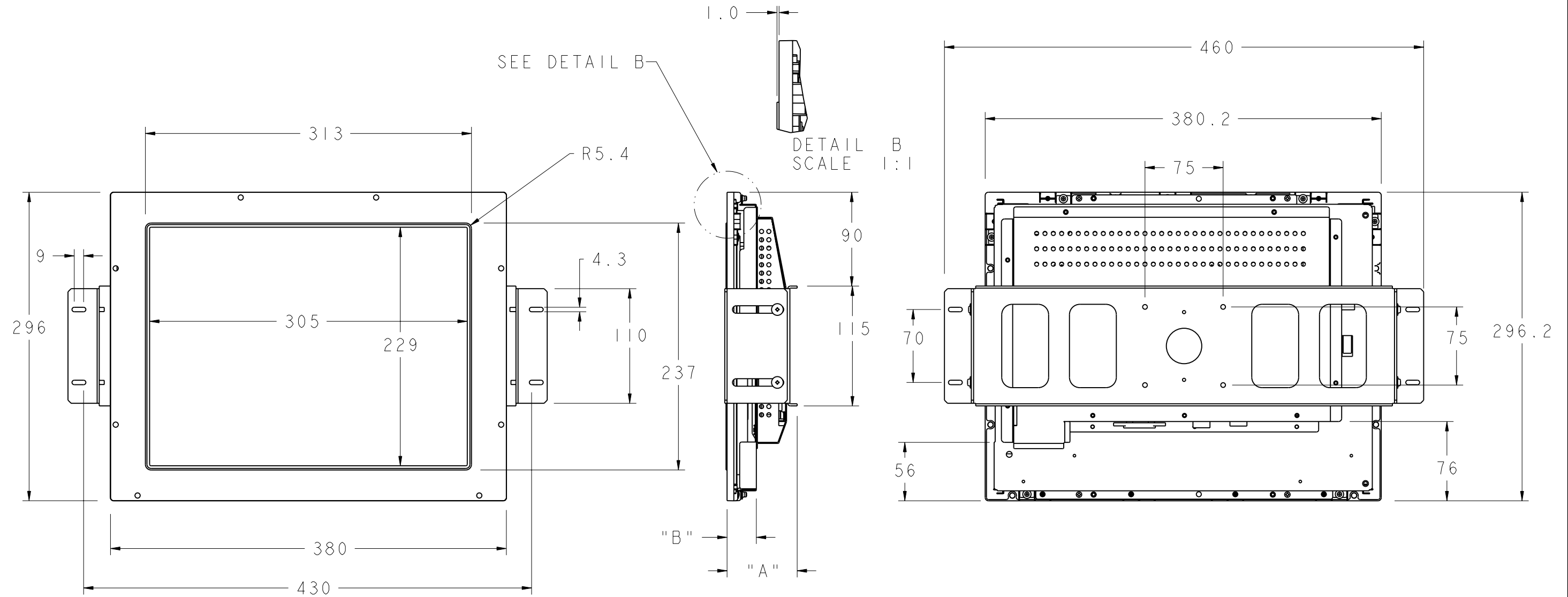


REAR MOUNT.
MODEL ET1547L SERIES.



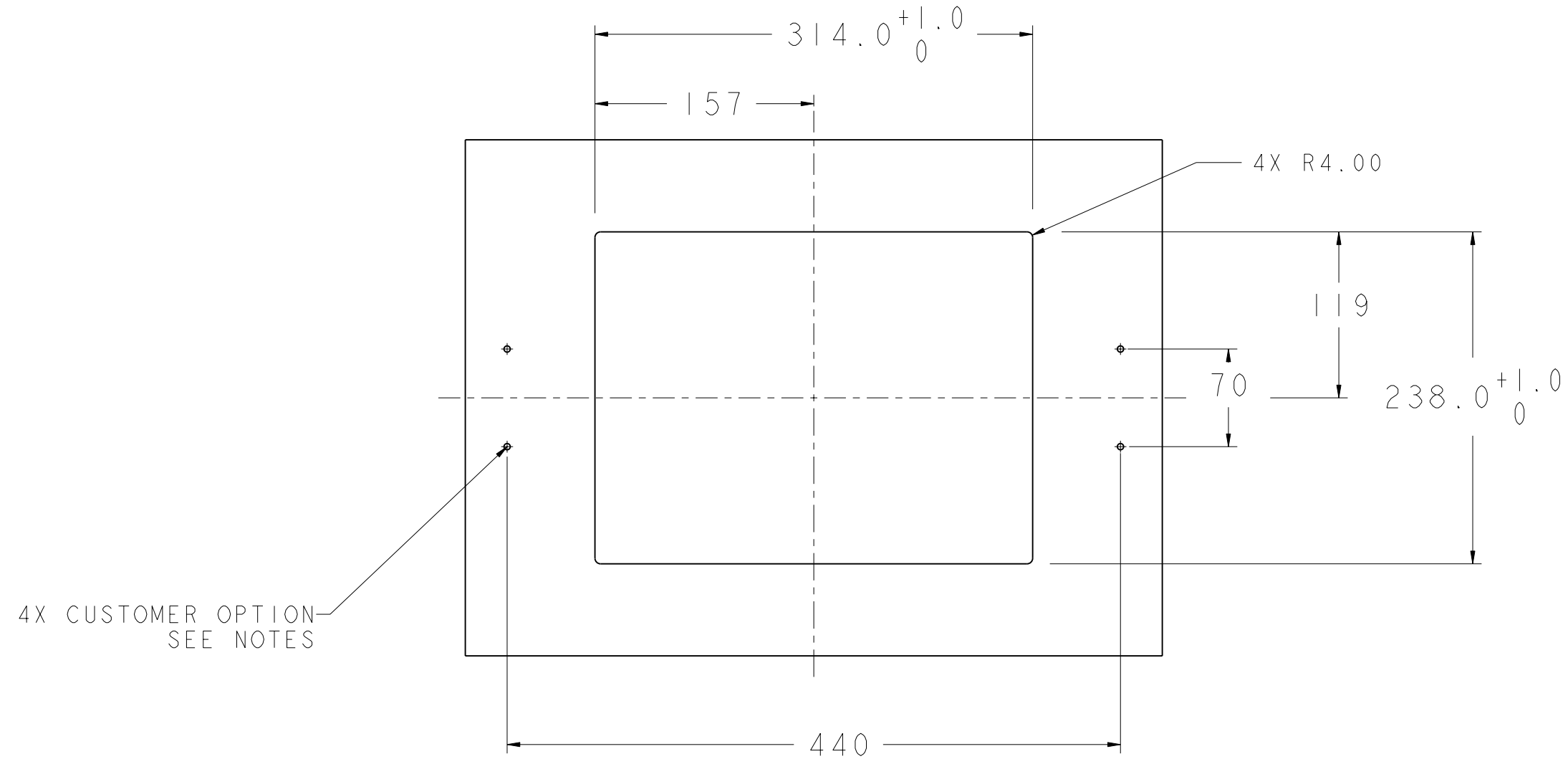
PART NUMBER	PART DESCRIPTION	"A"	"B"
056986-000	ET1547L-0NWC-1	67.3	28
516452-000	ET1547L-7SWC-1	67.3	28
C32978-000	ET1547L-7UWC-1	67.3	28
823428-000	ET1547L-8SWC-1	67.3	28
576426-000	ET1547L-8UWC-1	67.3	28
C80308-000	ET1547L-6SWC-1	70.3	31
A65349-000	ET1547L-6UWC-1	70.3	31

DIMENSIONS ARE IN MILLIMETERS

SHEET 1 OF 2
SCALE 1:2



PLATE CUT OUT, REAR MOUNT.



NOTES:

MATERIAL:

- 1. WOOD: \varnothing 4.5 HOLES THRU FOR M4 SCREWS W/NUTS,
OR, NO THRU HOLES, SCREWS FOR WOOD \varnothing 4mm,
- 2. SHEET METAL: CONCEALED HEAD THREADED STUDS M4 W/NUTS.

DIMENSIONS ARE IN MILLIMETERS

SHEET 2 OF 2

