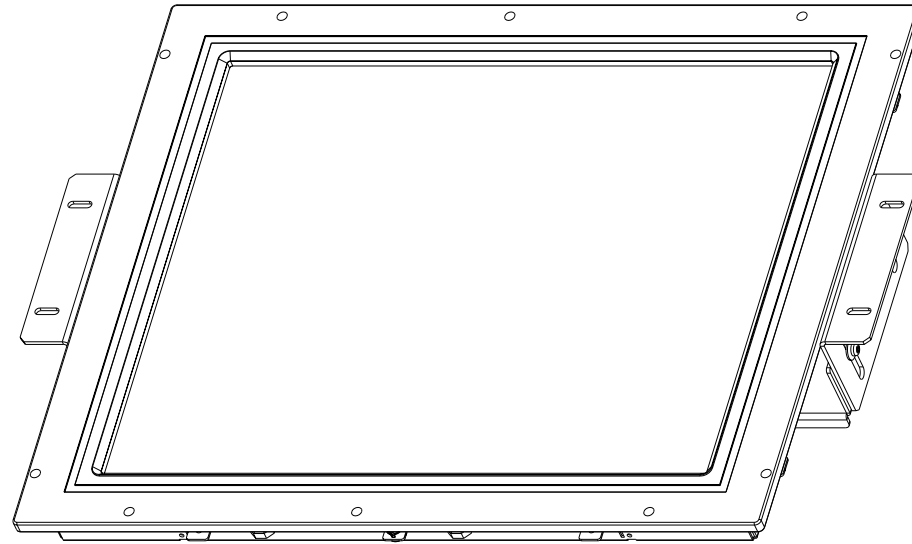
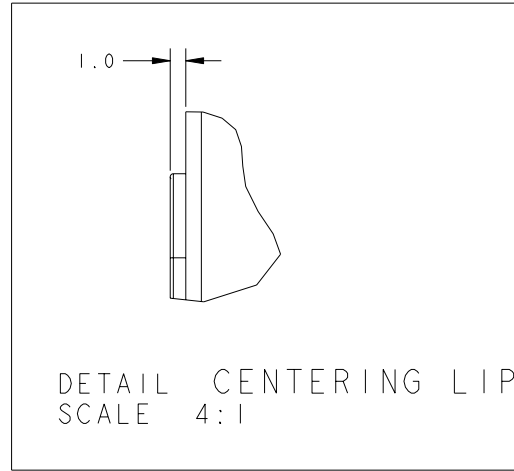
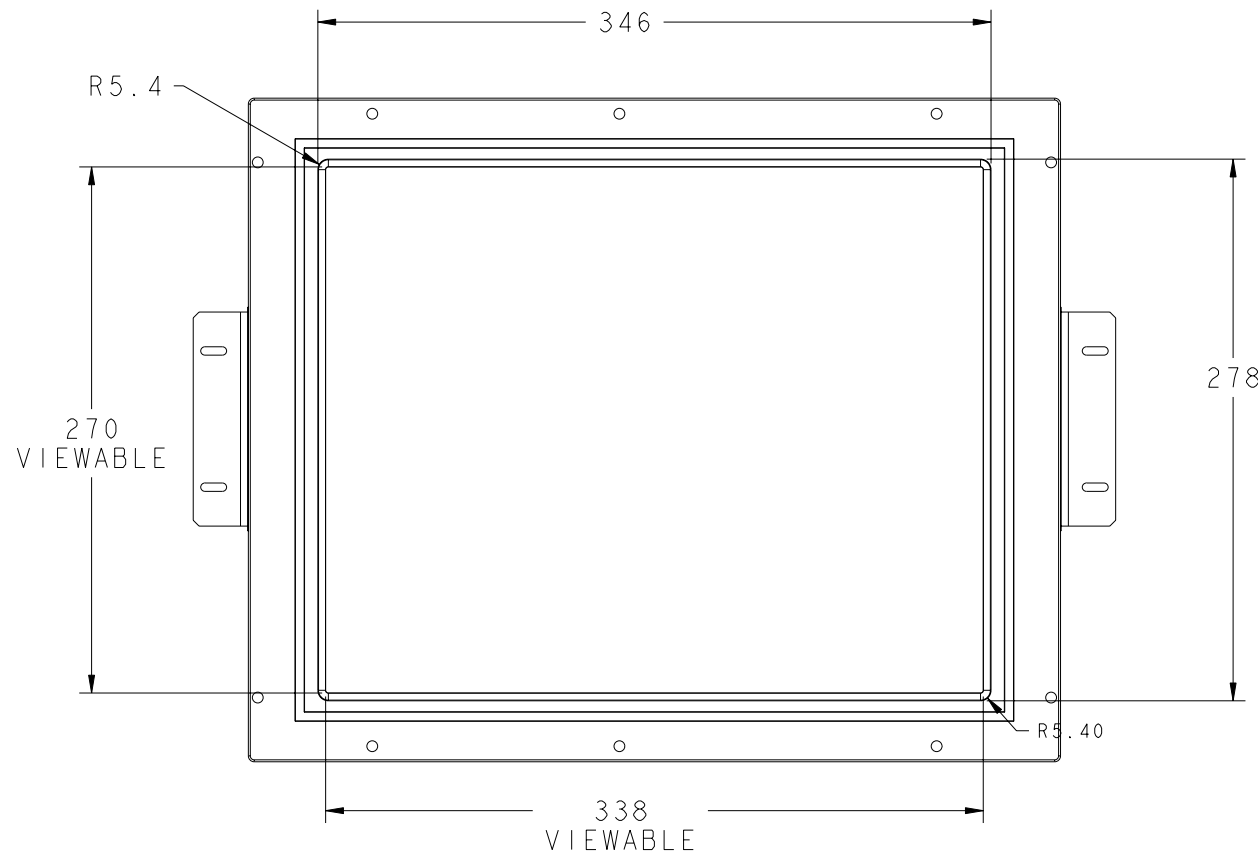


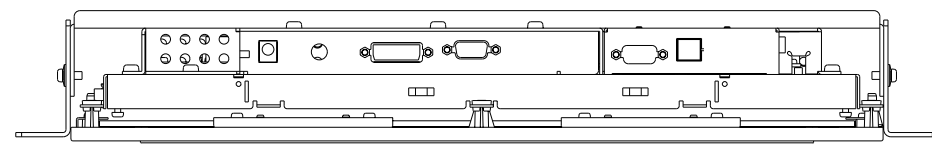
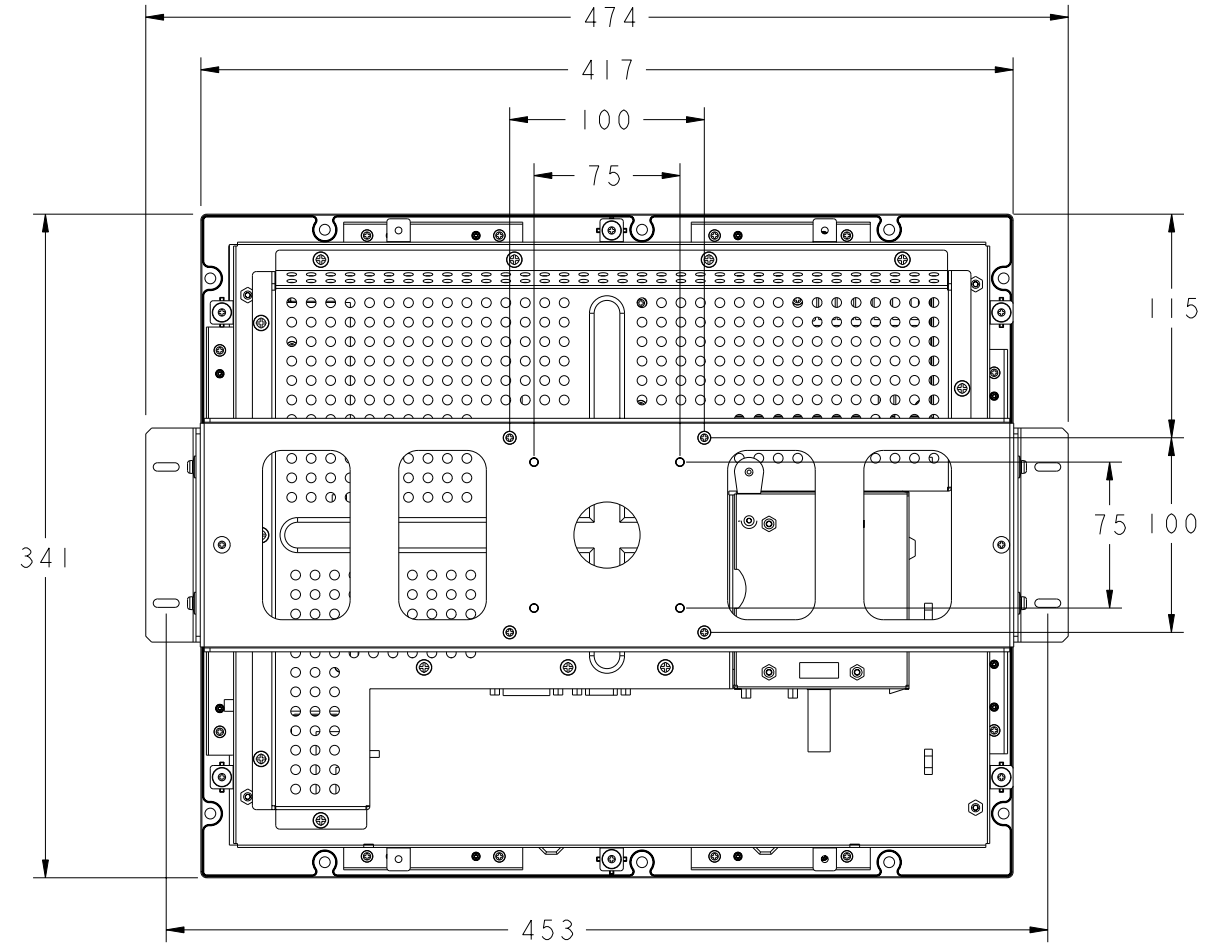
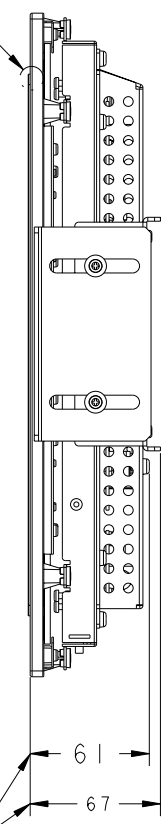
ET1747L KIOSK
REAR-MOUNT MONITOR



P/N	ITEM
D55621-000	ET1747L-0NWB-1
185914-000	ET1747L-6SWB-1
207124-000	ET1747L-6UWB-1
990882-000	ET1747L-7SWB-1
238212-000	ET1747L-7UWB-1
945446-000	ET1747L-8SWB-1
736650-000	ET1747L-8UWB-1
E85776-000	ET1747L-9SWB-1



SEE DETAIL
CENTERING LIP



NOTED DIMENSIONS ARE FOR NON-TOUCH, ACCUTOUCH,
AND INTELLITOUCH ONLY. FOR SECURETOUCH AND INFRARED
ADD 3.5MM TO EACH MEASUREMENT

DIMENSIONS ARE IN MILLIMETERS

SHEET 1 OF 2
3D CAD FILES (IGES) AVAILABLE

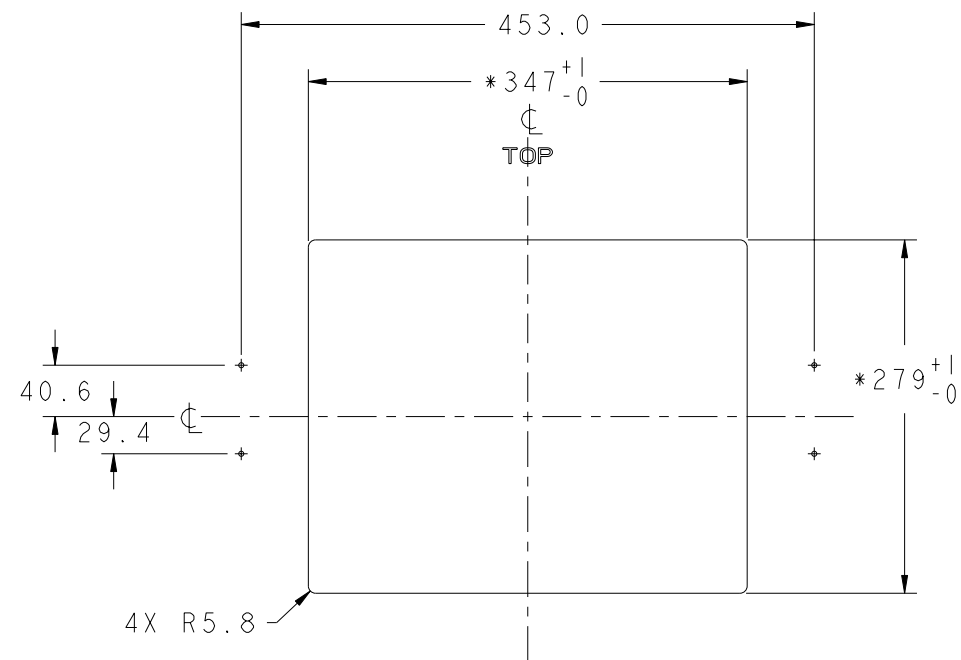
MS500237
DATE: 2/26/02
REV: A

ETI747L SERIES, REAR MOUNT KIOSK

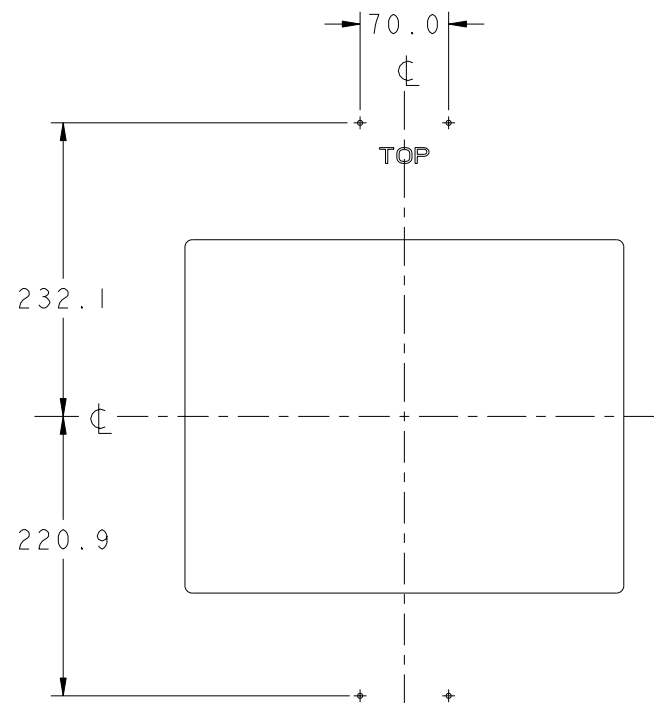
NOTES FOR ALL MOUNTING OPTIONS BELOW:

- 1.) ALL DRAWING CENTERS ARE THE CENTER OF VIEWABLE AREA OF THE LCD PANEL
- 2.) LCD PANEL CUTOUT DIMENSIONS IN OPTION 1 APPLIES TO ALL MOUNTING } } OPTIONS
- 3.) IF CUSTOMER KIOSK MATERIAL IS WOOD:
 $\varnothing 4.5$ HOLES THRU FOR M4 SCREWS W/NUTS,
OR NO THRU HOLES, SCREWS FOR WOOD $\varnothing 4$
- 4.) IF CUSTOMER KIOSK MATERIAL IS SHEETMETAL:
CONCEALED HEAD THREADED STUDS M4 W/ NUTS

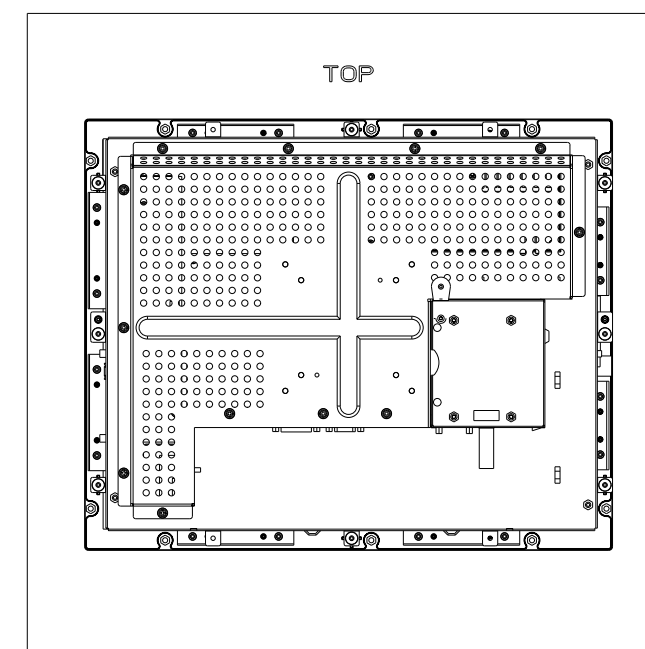
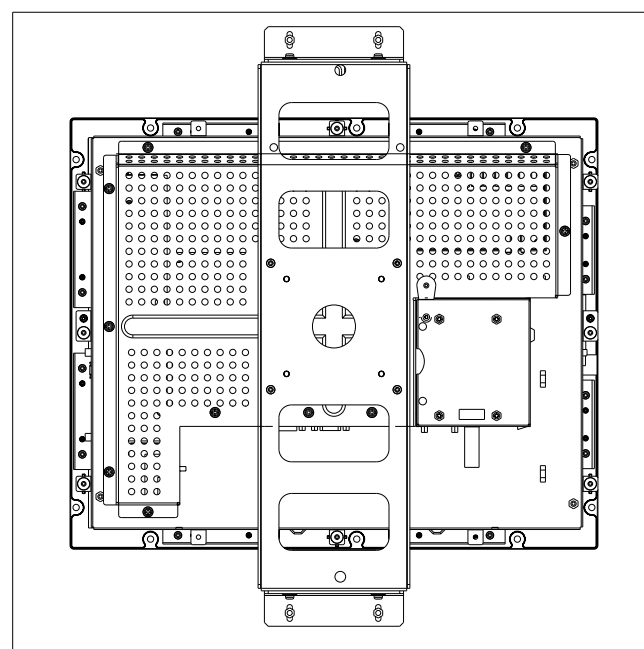
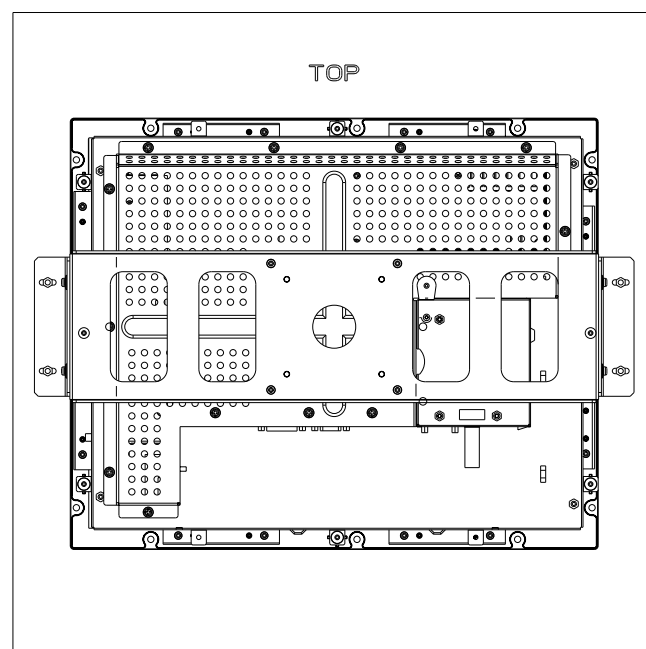
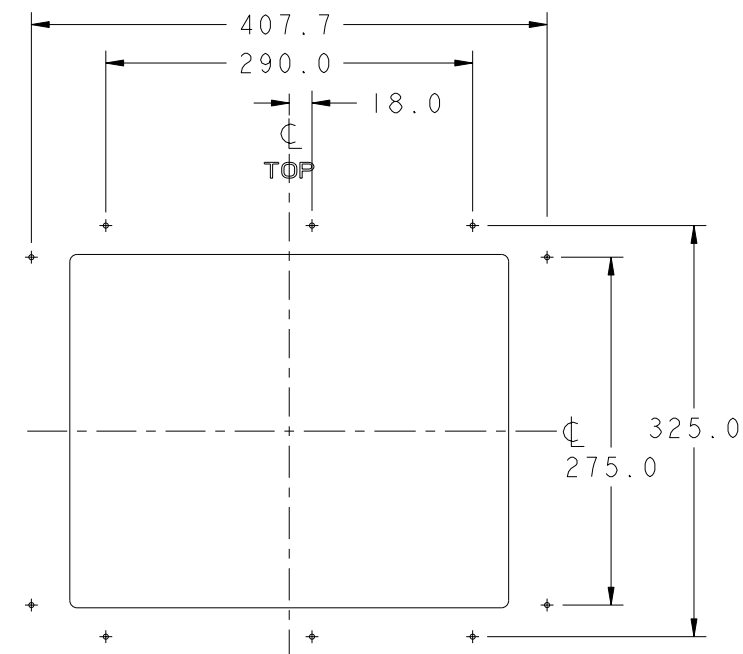
OPTION 1



OPTION 2



OPTION 3



DIMENSIONS ARE IN MILLIMETERS